



SINOCERA



Global Sensor Technology

## Quartz Force Sensor (Compression Only)

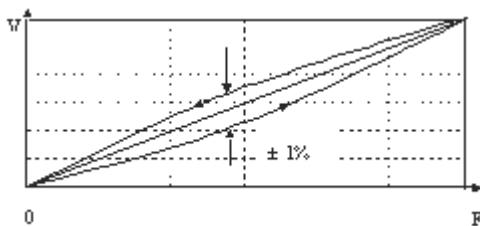
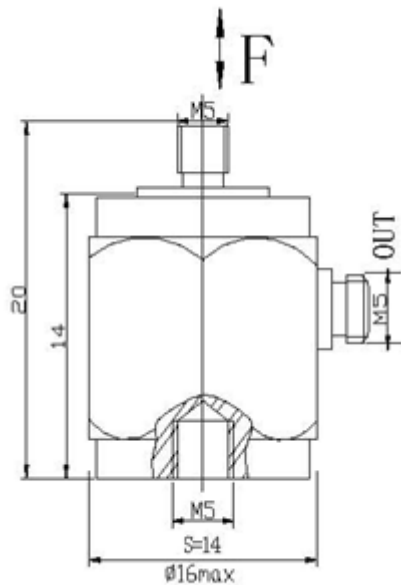
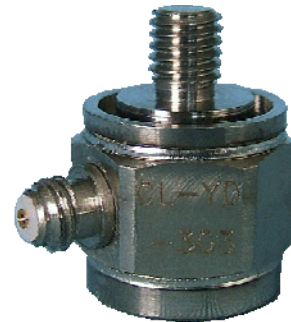
Model: CL-YD-303

### FEATURES

- Quartz force transducer for measuring dynamic or quasi-static force
- Wide frequency range
- Small size, light weight, laser welding
- Easy to mount and use
- Supporting with LC - 01A impact hammer

### SUPPLIED WITH

- Calibration chart
- Protective cap
- STYV-1 Lower noise cable (2m)



Typical static calibration curve (3 times average)

### Technical Specifications:

#### PERFORMANCE

Sensitivity (at 20±5°C)	4pC/N
Measurement range	0 to 2kN
Overload capacity	120%
Non-linearity	≤1% of full scale
Hysteresis	≤1% of full scale
Non-repeatability	≤1% of full scale
Resonance frequency	>55,000Hz

#### ELECTRICAL CHARACTERISTICS

Isolation resistance	>10 <sup>13</sup> Ω
Capacitance	7pF

#### PHYSICAL CHARACTERISTICS

Weight	16g
Case material	stainless steel
Sensing element	quartz
Mounting	M5 & M8 threads
Electrical connection	L5 connector

#### ENVIRONMENTAL CHARACTERISTICS

Temperature range	-196 to +200 °C
-------------------	-----------------