



SINOCERA



Global Sensor Technology

Piezoelectric Accelerometer

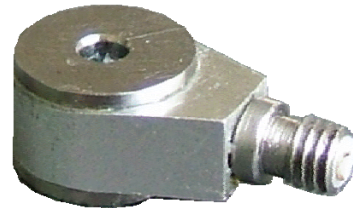
Model: CA-YD-140

Features:

- High shock and vibration measurement
- Small size and wide frequency response
- Overall attachment output
- Central $\Phi 2$ through-hole, universal mounting

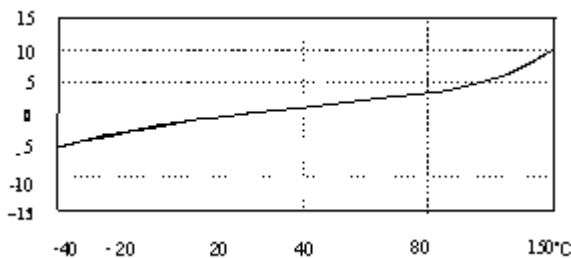
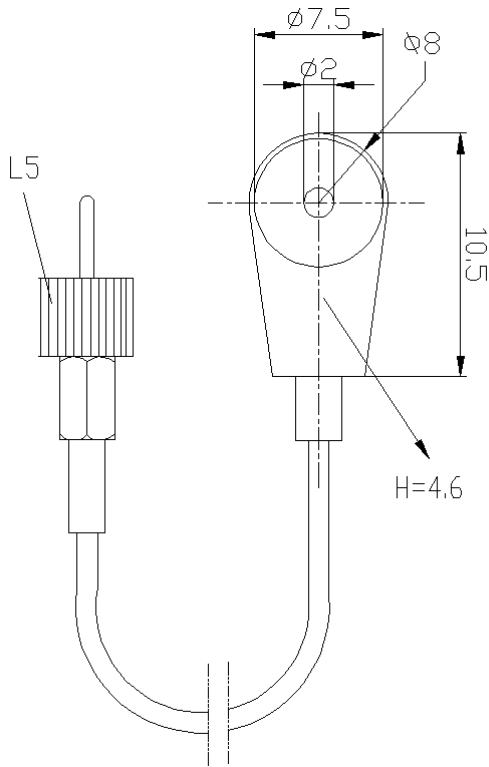
Supplied With:

- Calibration chart
- M2 bolt

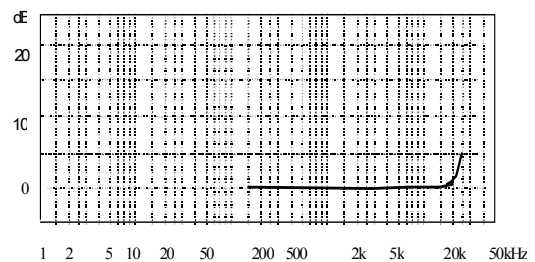


Technical Specifications:

Axial Sensitivity(20±5°C)	2pC/g
Transverse Sensitivity	≤5%
Frequency Response 10%	2 to12 , 000 Hz
Mounting Resonance Frequency	40,000 Hz
Temperature Response	Refer to the temperature curve
Polarity	Positive
Isolation Resistance	>10 ⁹ Ω
Capacitance	1000 pF
Operating Temp. Range	-40 to+150 °C
Measurement Range	2000 g
Shock Limit	5000 g
Transient Sensitivity	50mg/°C(0.3Hz)
Magnetic Sensitivity	0.5g/T
Base Strain Sensitivity	5mg/με
Weight	1.4g(without cable)
Case Material	Aluminum alloy
Mounting Method	φ2 through hole
Sensing Element	PZT-5
Structural Design	Triangle shear
Output Type	Side overall cable or M3socket (A)



Typical Temperature Response



Typical Frequency Response