



SINOCERA



Global Sensor Technology

Piezoelectric Accelerometer (High Shock)

Model: CA-YD-102

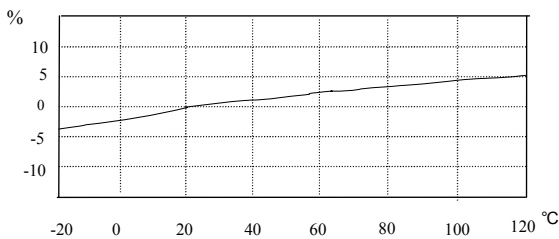
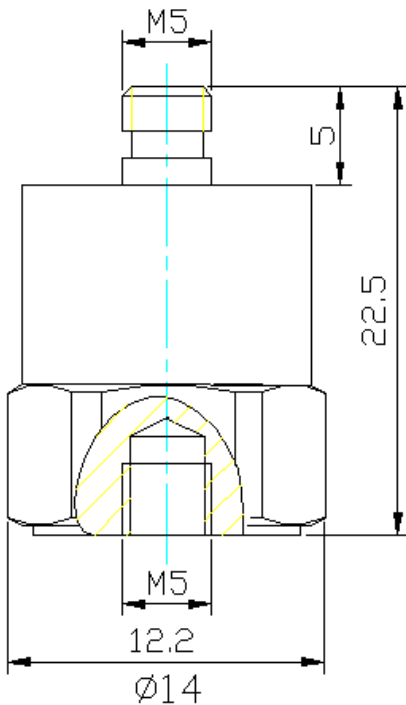
Features

- General Vibration & Shock
- Low Cost
- Charge output

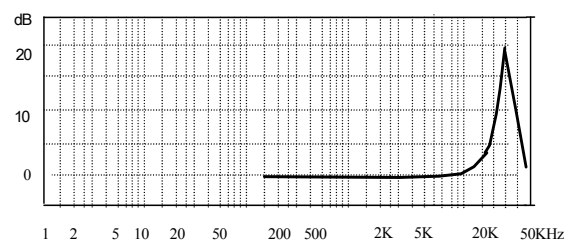


Technical Specifications:

Sensitivity (20±5°C)	15pC/g
Transverse Sensitivity	≤5 %
Frequency Response (10%)	0.5 to 10 , 000 Hz
Mounting Resonance Frequency	40,000 Hz
Nonlinearity	Vibration: < 1%; Shock: < 10%
Isolation Resistance	>109Ω
Capacitance	~ 1100 pF
Operating Temp. Range	-20 ~ +120 °C
Shock Limit(±peak)	5000g
Transient Sensitivity	0.1g/°C (0.3Hz)
Magnetic Sensitivity	2g/T
Base Strain Sensitivity	0.6mg/με
Weight	14g
Case Material	Stainless steel
Mounting Method	M5
Sensing Element	PZT-8
Output Type	Top L5 (10-32)
Accessories	
Calibrate Certificate	1
Mounting Screw	1
Lower noise cable(2m)	1



Typical Temperature Response



Typical Frequency Response